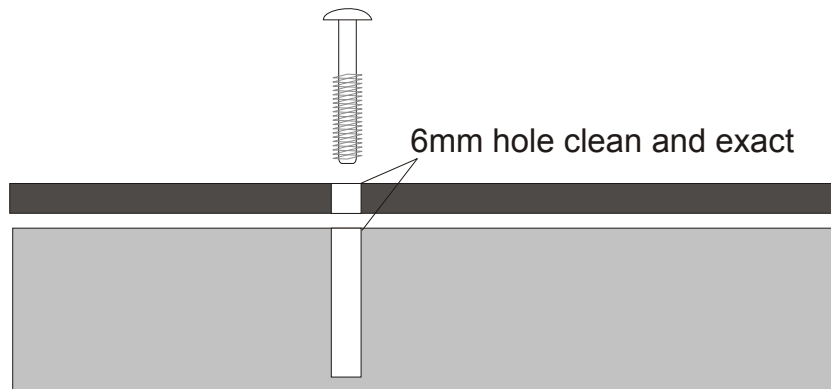




Sprint plug instructions

Drill an exact 6mm hole, clean
hammer 30mm sprint plug
but leave sign slightly loose



30mm sprint plug hammer in but leave slightly loose.

When fixing to an uneven surface it is advisable to fit a spacer(rubber washer).

